

# ROBERTS GORDON® HEATING CONTROLS

## Installation, Operation & Service Manual



### **⚠ WARNING**

Improper installation, adjustment, alteration, service or maintenance can result in death, injury or property damage. Read the Installation, Operation and Service Manual thoroughly before installing or servicing this equipment.

Installation must be done by an electrician qualified in the installation and service of control systems for heating equipment.



### **Installer**

Please take the time to read and understand these instructions prior to any installation. Installer must give a copy of this manual to the owner.

### **Owner**

Keep this manual in a safe place in order to provide your service technician with necessary information.

**Roberts-Gordon LLC**  
1250 William Street  
P.O. Box 44  
Buffalo, New York 14240-0044  
Telephone: +1.716.852.4400  
Fax: +1.716.852.0854  
Toll Free: 800.828.7450

[www.robertsgordon.com](http://www.robertsgordon.com)



---

## TABLE OF CONTENTS

<b>SECTION 1: Introduction</b> .....	<b>1</b>
1.1 Safety .....	1
1.2 Safety Labels and Their Placement .....	1
1.3 California Proposition 65 .....	1
1.4 What is a ROBERTS GORDON® CORAYVAC® Heating Control?.....	1
1.5 Electrical Requirements .....	1
1.6 Check Installation Materials .....	2
<b>SECTION 2: Specifications</b> .....	<b>4</b>
2.1 Material Specifications .....	4
2.2 Electrical Specifications .....	4
2.3 Pump Specifications .....	4
2.4 Burner Electrical Ratings .....	5
2.5 Outside Air Supply Blower Electrical Ratings .....	5
2.6 Indicator Lights .....	5
2.7 Terminal Block Guide.....	5
<b>SECTION 3: Installation</b> .....	<b>6</b>
3.1 Preparation .....	6
3.2 Installing the CORAYVAC® Heating Control Panel.....	6
3.3 Cable Requirements .....	6
3.4 Select the External Wiring Diagram for the Installation .....	6
3.5 System Configuration.....	7
<b>SECTION 4: Typical External Wiring Diagrams</b> .....	<b>8</b>
4.1 EP-100 or EP-201 120 V 1 Ø Pump External Wiring Diagram.....	8
4.2 EP-201 or EP-301 230 V 1 Ø External Wiring Diagram .....	9
4.3 EP-203 or EP-303 208 - 230 V (or 460 V) 3 Ø Pump External Wiring Diagram .....	11
4.4 Outside Air Blower External Wiring Diagram .....	13
4.5 Thermostat Wire Lengths .....	14
4.6 Thermostat Wiring .....	14
<b>SECTION 5: Troubleshooting</b> .....	<b>15</b>
5.1 Sequence of Operation.....	15
<b>SECTION 6: Replacement Parts</b> .....	<b>17</b>
6.1 Replacement Parts Instructions.....	18
<b>SECTION 7: The ROBERTS GORDON® CORAYVAC® Heating Control Warranty</b> .....	<b>19</b>

© 2016 Roberts-Gordon LLC

All rights reserved. No part of this work covered by the copyrights herein may be reproduced or copied in any form or by any means - graphic, electronic, or mechanical, including photocopying, recording, taping or information storage and retrieval systems - without the written permission of Roberts-Gordon LLC.



---

## TABLE OF FIGURES

Figure 1: Label Placement .....	3
Figure 2: Panel Layout .....	4
Figure 3: Terminal Block Guide .....	5
Figure 4: Mounting Hole Layout.....	6
Figure 5: System Configuration.....	7
Figure 6: External Wiring Diagram ROBERTS GORDON® EP-100 and EP-201 120 V 1 Ø Pump .....	8
Figure 7: External Wiring Diagram ROBERTS GORDON® EP-100, EP-201 or EP-301, 230 V 1 Ø Pump .....	9
Figure 8: External Wiring Diagram ROBERTS GORDON® EP-203 or EP-303, 208 - 230 V (or 460 V) 3 Ø Pump.....	11
Figure 9: External Wiring Diagram ROBERTS GORDON® EP-100 or EP-201 120 V 1 Ø Pump with Outside Air Blower .....	13
Figure 10: CORAYVAC® Heating Control Troubleshooting Chart.....	16
Figure 11: CORAYVAC® Heating Control Internal Components Diagram .....	17



## SECTION 1: INTRODUCTION

### 1.1 Safety



Your Safety is Important to Us! This symbol is used throughout the manual to notify you of possible fire, electrical or burn hazards. Please pay special attention when reading and following the warnings.

Installation, service and annual inspection of controller must be done by an electrician qualified in the installation and service of control systems for heating equipment.

Installation, service and annual inspection of heater must be done by a contractor qualified in the installation and service of gas or oil fired heating equipment.

Read this manual carefully before installation, operation, or service of this equipment.

The appliance must be applied and operated under the general concepts of reasonable use and installed using best building practices.

This appliance is not intended for use by persons (including children) with reduced physical, sensory or mental capabilities, or lack of experience and knowledge unless they have been given supervision or instruction concerning use of the appliance by a person responsible for their safety. Children should be supervised to ensure that they do not play with the appliance.

For optimum heater performance and safe heating conditions, inspect and maintain heater(s) before every heating season as necessary. Also, know and maintain heater clearances to combustibles, see heater Installation, Operation and Service Manual for further details. If you require additional manuals, contact your ROBERTS GORDON® independent distributor or Roberts-Gordon LLC at (716) 852-4400, (800) 828-7450 or online at [www.robertsgordon.com](http://www.robertsgordon.com).

### 1.2 Safety Labels and Their Placement

Product safety signs or labels should be replaced by the product user when they are no longer legible. Please contact Roberts-Gordon LLC or your ROBERTS GORDON® independent distributor to obtain replacement signs or labels. See *Page 3, Figure 1*.

### 1.3 California Proposition 65

In accordance with California Proposition 65 requirements, a warning label must be placed in a highly visible location on the outside of the equipment (i.e.


near equipment's serial plate). See label placement drawing on *Page 3, Figure 1* for label location. Avoid placing label on areas with extreme heat, cold, corrosive chemicals or other elements. To order additional labels, please contact Roberts-Gordon LLC or your ROBERTS GORDON® independent distributor.

### 1.4 What is a ROBERTS GORDON® CORAYVAC® Heating Control?

The ROBERTS GORDON® CORAYVAC® Heating Control is an electronic controller designed for the control of CORAYVAC®, CORAYVAC®SF and COMPLETE™ CTHND (multiburner only) systems.

The CORAYVAC® Heating Control is capable of giving four zones of burners' temperature control and power. The control will also give power output to as many as two pumps, provided that the load is not greater than 20 A and 1 Ø. For additional electrical specifications see *Page 4, Section 2.2*.

### 1.5 Electrical Requirements

<b>⚠ DANGER</b>

<b>Electrical Shock Hazard</b>
<b>Disconnect electric before service.</b>
<b>Controller must be properly grounded to an electrical source.</b>
<b>Failure to follow these instructions can result in death or electrical shock.</b>

Failure to comply with the installation instructions will invalidate the limited warranty set out on *Page 19, Section 7*.

The cable used for all wiring must be rated for 600 V. The CORAYVAC® Heating Control, burners, pump and outside air blower must be electrically grounded in accordance with the following:

United States: Refer to National Electrical Code®, NFPA 70 - latest revision. Wiring must conform to the most current National Electrical Code®, local ordinances and any special diagrams furnished.

Canada: Refer to Canadian Electrical Code, CSA C22.1 Part 1 - latest revision.

## 1.6 Check Installation Materials

Before proceeding with the installation of the ROBERTS GORDON® CORAYVAC® Heating Control, check the following points:

### 1.6.1 Thermostats

Electronic 24 Vac thermostats and mechanical thermostats with heat anticipator can be used. The CORAYVAC® Heating Control offers a 24 Vac power supply to power electronic thermostats. Roberts-Gordon LLC offers a selection of low voltage thermostats approved for use with the CORAYVAC® Heating Control.

The thermostats measure the air temperature in the building. It is important that the thermostat is located in an area within the heated zone at occupant level. Do not place thermostat in an area shaded from the low-intensity, infrared heating system.

### 1.6.2 Electrical Installation Materials

120 V, 60 Hz, 1 Ø, 20 A, power supply to the control panel must be installed in accordance with the most current National Electrical Code®, local codes and any site specific diagrams.

Total load powered by the panel must not exceed 20 A. Loads totaling more than 20 A must be powered from an additional power supply circuit by the use of a load relay package.

### 1.6.3 Outside Air Supply Blower

If used, the optional outside air blower is to be controlled in parallel with the pump. The blower incorporates a pressure switch which must be wired in series with the pressure switch on the pump. The load relay package may be required with the blower. See *Page 13, Figure 9* for wiring detail.

### 1.6.4 Pressure Switch

A pressure switch (P/N 90430600K), is required for installation on the inlet of the pump. This switch is required to interlock the operation of the pump with the control panel. Do not wire the pressure switch and the pump power in the same conduit.

## CAUTION

### Product Damage Hazard

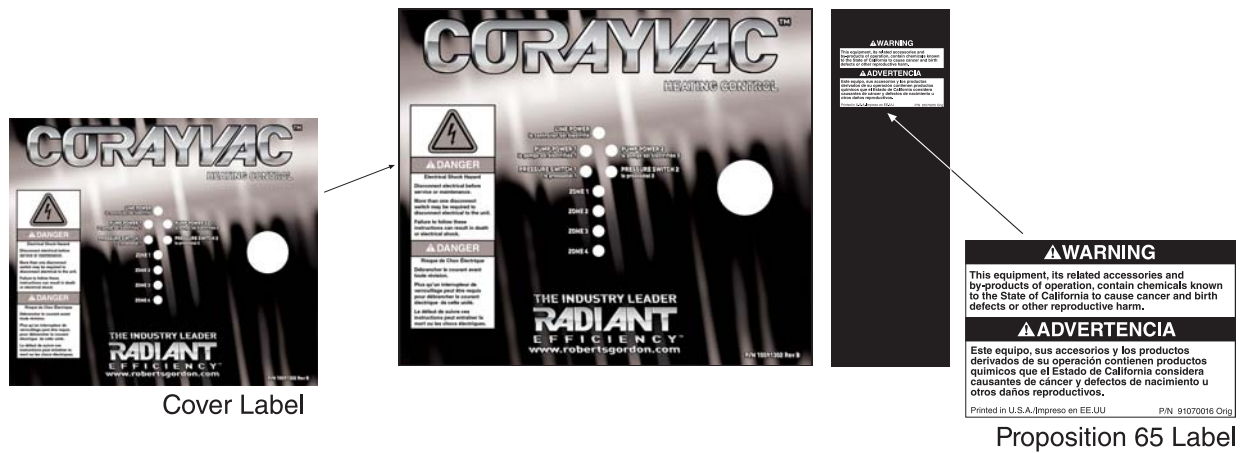
**Pressure switch must be installed on all ROBERTS GORDON® systems to ensure safety and operation.**

**System will not operate without pressure switch.**

**Failure to follow these instructions can result in product damage.**



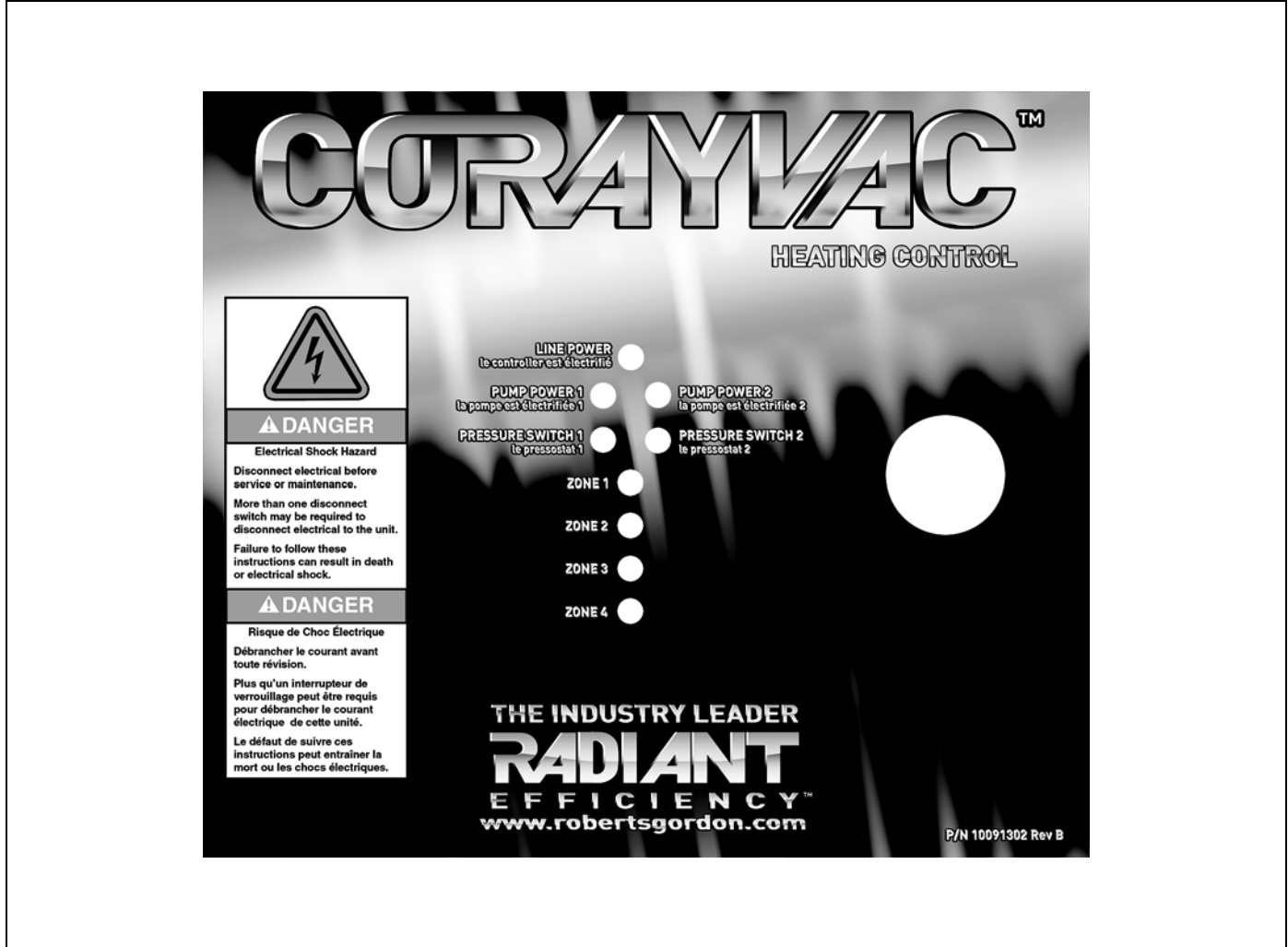
FIGURE 1: Label Placement



Description	Part Number
Cover Label	10091301
Proposition 65 Label	91070016

**SECTION 2: SPECIFICATIONS**

**FIGURE 2: Panel Layout**



**2.1 Material Specifications**

Enclosure Material: Metal  
 Weight: 6.8 lbs (3.08 kg)  
 Dimensions: 10.2" x 11.4" x 2.8"  
 (25.4 x 29.0 x 7.1 cm)  
 Protection: Rating IP20

**2.2 Electrical Specifications**

Supply: 120 V, 60 Hz, 1 Ø, 20 A  
 Zone Relay: Single pole 20 A, 120 Vac (resistive)  
 Pump Relay: Single pole 20 A, 120 Vac (resistive) 1 HP motor rated.  
 Thermostats: Low voltage 24 Vac

**2.3 Pump Specifications**

Pump Model	HP	Full Load Current			
		120 V 1 Ø	208/230 V 1 Ø	208/230 V 3 Ø	460 V 3 Ø
EP-100	1/3	4.8 A	N/A / 2.4 A	-	-
EP-201	3/4	6.6 A	N/A / 3.3 A	-	-
EP-203	3/4	-	-	2.4 A / 2.2 A	1.1 A
EP-301	2	23 A	12.8 A / 11.9 A	-	-
EP-303	2	-	-	5.5 A / 5.2 A	2.6 A

## 2.4 Burner Electrical Ratings

CORAYVAC®, CORAYVAC® SF burners: 120 V, 60 Hz, 1 Ø 0.3 A

COMPLETE™ CTHND (multiburner only) burners: 120 V, 60 Hz, 1 Ø 0.2 A

## 2.5 Outside Air Supply Blower Electrical Ratings

Outside air supply blower (P/N 90707501K) has a full load rating of 1.6 A when supplied by a 120 V, 60 Hz, 1 Ø power source.

## 2.6 Indicator Lights

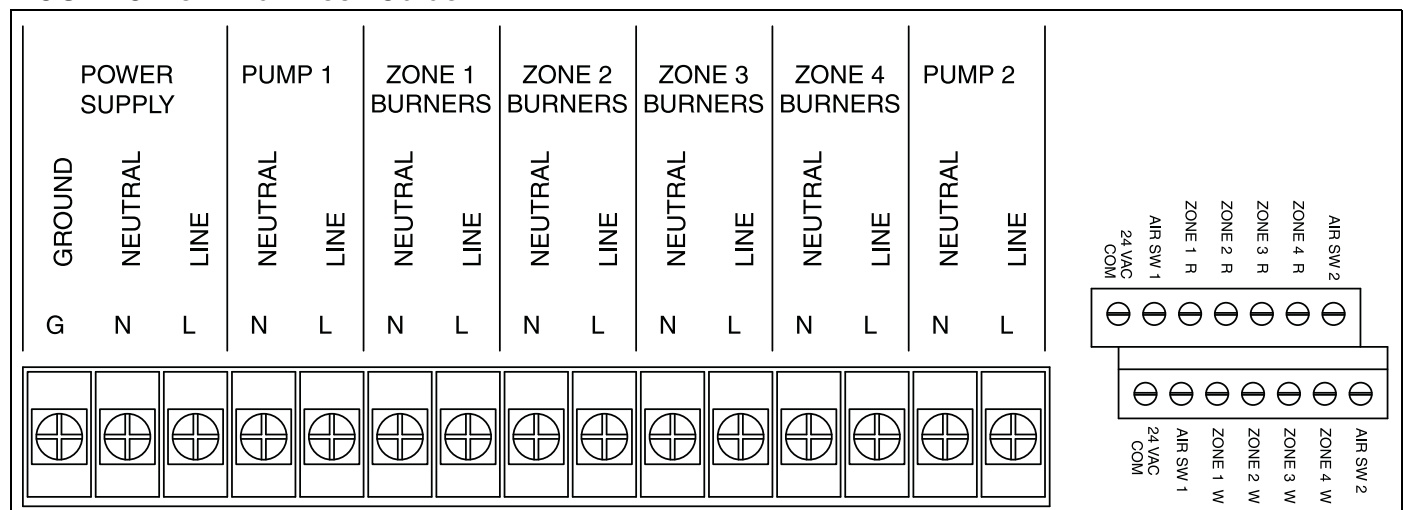
See *Page 4, Figure 2*.

1. LINE POWER, when lit, indicates power is supplied to the panel.
2. PUMP POWER 1, when lit, indicates the relay for power to pump 1 is energized.
3. PUMP POWER 2, when lit, indicates the relay for power to pump 2 is energized.
4. PRESSURE SWITCH 1, when lit, indicates that pressure switch 1 is closed. When blinking, indicates that the system is in lockout.
5. PRESSURE SWITCH 2, when lit, indicates that pressure switch 2 is closed. When blinking, indicates that the system is in lockout.
6. ZONE, when lit, indicates which zone relay is energized.

## 2.7 Terminal Block Guide

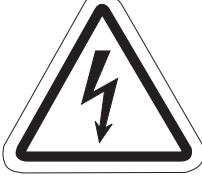
*Figure 3* is a guide to the terminal abbreviations.

**FIGURE 3: Terminal Block Guide**



## SECTION 3: INSTALLATION

**⚠ DANGER**



**Electrical Shock Hazard**

**Disconnect electric before service.**

**Controller must be properly grounded to an electrical source.**

**Failure to follow these instructions can result in death or electrical shock.**

Installation of the CORAYVAC® Heating Control and the associated external electrical wiring must be completed by an electrician qualified in the installation of control systems for heating equipment.

### 3.1 Preparation

Before installing the CORAYVAC® Heating Control, observe the following:

**3.1.1** Ensure that you have a copy of the site layout for the project that identifies clearly the separate zones.

**3.1.2** Read *Page 2, Section 1.6* carefully to ensure the correct installation materials are available.

### 3.2 Installing the CORAYVAC® Heating Control Panel

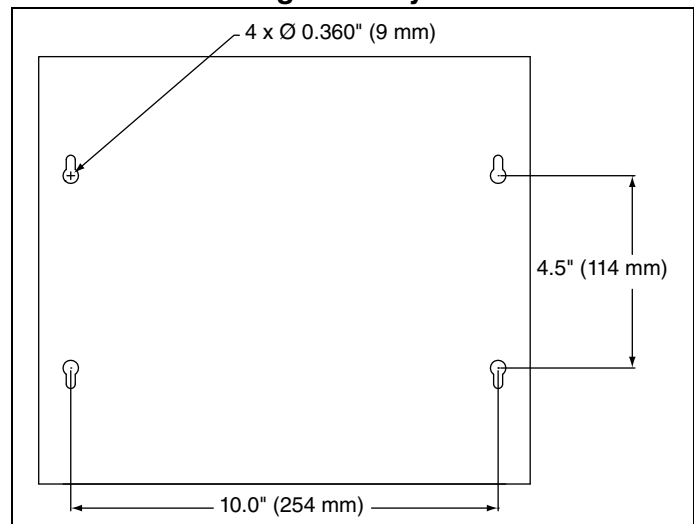
**3.2.1** Choose a mounting location for the CORAYVAC® Heating Control. It is advisable to choose a visible location near the pump.

**Do not mount CORAYVAC® Heating Control outdoors or in an area with moisture spray, excessive moisture or humidity. To avoid damage from possible drips, do not mount controller directly beneath pump.**

**3.2.2** Position the mounting hole location of the CORAYVAC® Heating Control per *Figure 4*.

**3.2.3** Remove the knockouts required for the conduit entry into the CORAYVAC® Heating Control panel. The knockouts are on the top of the CORAYVAC® Heating Control case.

**FIGURE 4: Mounting Hole Layout**



### 3.3 Cable Requirements

Low voltage wiring (pressure switch, thermostats) must be rated to 300 V. Line voltage wiring must be rated to 600 V.

The low voltage circuit conforms with Class 2 separation of circuit requirements. National Electrical Codes® for wiring class 2 low voltage circuits must be followed.

As per individual building specification for class of cable to be used. Use copper conductors only.

#### 3.3.1 ROBERTS GORDON® CORAYVAC® Heating Control

Listed below are the recommended cable requirements for the various connections for the CORAYVAC® Heating Control.

- **Line Power Supply**  
The power connection should be made with cable, size 14 AWG wire.
- **Relay Output**  
The control connection for load of each individual relay should be made with 16 AWG wire.
- **Pressure Switch Input**  
The wiring connection for pressure switch should be unshielded 18 AWG wire.
- **Thermostats**  
The wiring connection for Thermostats should be unshielded cable, and recommend for wire gauges as indicated on *Page 14, Section 4.5*

### 3.4 Select the External Wiring Diagram for the Installation

**3.4.1** Use *Page 8, Section 4* for the external wiring of the burners, thermostats and pressure switch.

**3.4.2** Use the table below to select the correct pump external wiring diagram.

Pump	Supply Voltage	Page	Section	Figure
EP-100	120 V 1 Ø	7	4	5
EP-100	208/230 V 1 Ø	8	4	6
EP-201	120 V 1 Ø	7	4	5
EP-201	208/230 V 1 Ø	8	4	6
EP-301	120/208 - 230 V 1 Ø	8	4	6
EP-203	208 - 230 V (or 460 V) 3 Ø	9	4	7
EP-303	208 - 230 V (or 460 V) 3 Ø	9	4	7

Roberts-Gordon LLC provides, at an **additional cost**, the following IEC contactor packages required for EP-100 and EP-201 208/230 V (1 Ø), EP-203 (3 Ø), EP-303 (3 Ø) and EP-301 (1 Ø) pumps.

For the EP-203 (3 Ø), EP-303 (3 Ø), EP-100, EP-201 and EP-301 208/230 V (1 Ø) pumps, use the 17 Amp contactor package (P/N 10050011).

For the EP-301 pumps that are operated with 120 V (1 Ø) use the 28 Amp contactor package (P/N 10050012). The contents are listed below:

Contactor Packages	
Part No.	Description
10050011	Contactor Package 17A

10001002	Enclosure IEC metal 8X6X6 NEMA 1
90600200	CONT 208-600 17A (A16-30-10-84)
<b>10050012</b>	<b>Contactor Package 28A</b>
10001002	Enclosure IEC metal 8X6X6 NEMA 1
90600205	CONT 208-600 28A (A26-30-10-84)

All pump motors are equipped with thermal overloads.

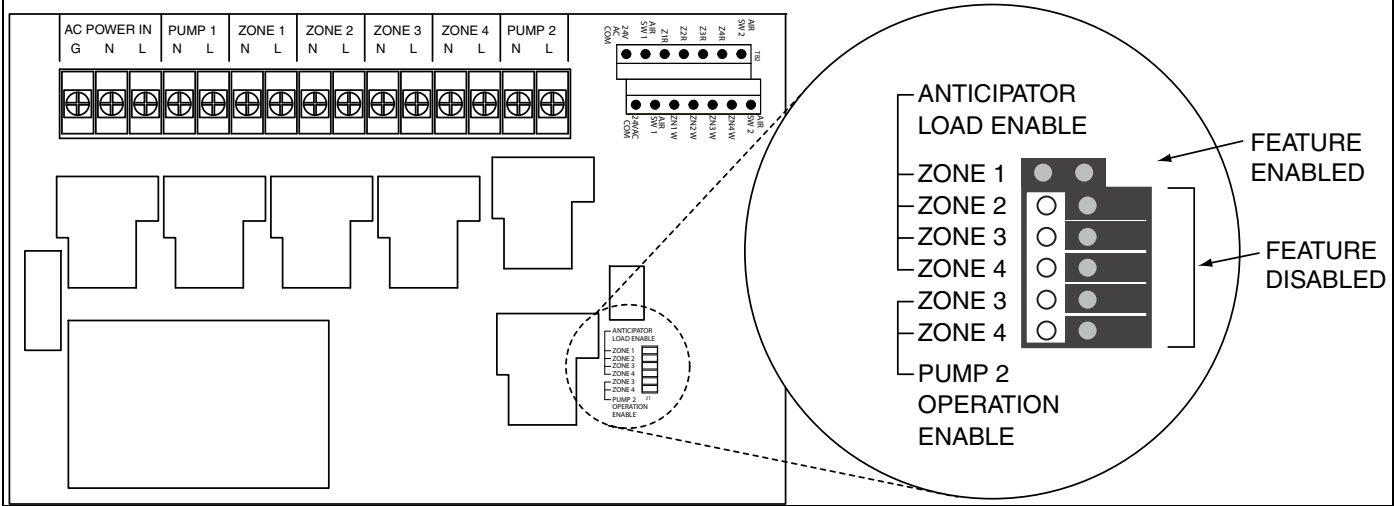
**3.4.3** If an outside air blower is to be used with any of the above options, See Page 13, Figure 9.

**3.5 System Configuration**

See Page 7, Figure 5 for details. Below the ribbon cable J2 connector, there are six configurable jumpers. They indicate whether the thermostat for each zone uses an anticipator. If the thermostat for that associated zone has an anticipator, then use a jumper to cover both pins for that zone. If the thermostat for the associated zone does not use an anticipator, then cover the right side pin only.

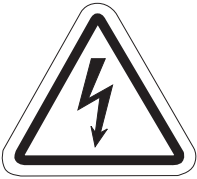
The bottom two jumpers are associated with Pump 2 operation. They indicate whether Pump 2 is active and which zones are associated with it. Pump 2 can only be associated with Zone 3 and/or Zone 4. To enable Pump 2, use a jumper to cover both pins for the zone(s) that will operate on Pump 2. To disable Pump 2, cover only the right side of the pin of zone 3 and 4.

**FIGURE 5: System Configuration**



**SECTION 4: TYPICAL EXTERNAL WIRING DIAGRAMS**

**⚠ DANGER**



**Electrical Shock Hazard**  
Disconnect electric before service.

**More than one disconnect switch may be required to disconnect electric to the unit.**

**Failure to follow these instructions can result in death or electrical shock.**

**4.1 EP-100 or EP-201 120 V 1 Ø Pump External Wiring Diagram**

The external wiring diagram below shows the connections for four zones of system burners. System

burners can be either CORAYVAC®, CORAYVAC® SF or COMPLETE™ CTHND (multiburner only).

The zones are connected to a single pump, unless zone 3 and/or zone 4 are selected to function with the optional pump 2. The external wiring diagram below shows connection to an EP-100 or EP-201 120 V 1 Ø pump.

**4.1.1 External Wiring Connection Details**

Low voltage wiring (pressure switch, thermostats) must be rated to 300 V. Line voltage wiring must be rated to 600 V.

The low voltage circuit conforms with Class 2 separation of circuit requirements. National Electrical Codes® for wiring class 2 low voltage circuits must be followed.

As per individual building specifications for class of cable to be used. Use copper conductors only.

**FIGURE 6: External Wiring Diagram ROBERTS GORDON® EP-100 and EP-201 120 V 1 Ø Pump**

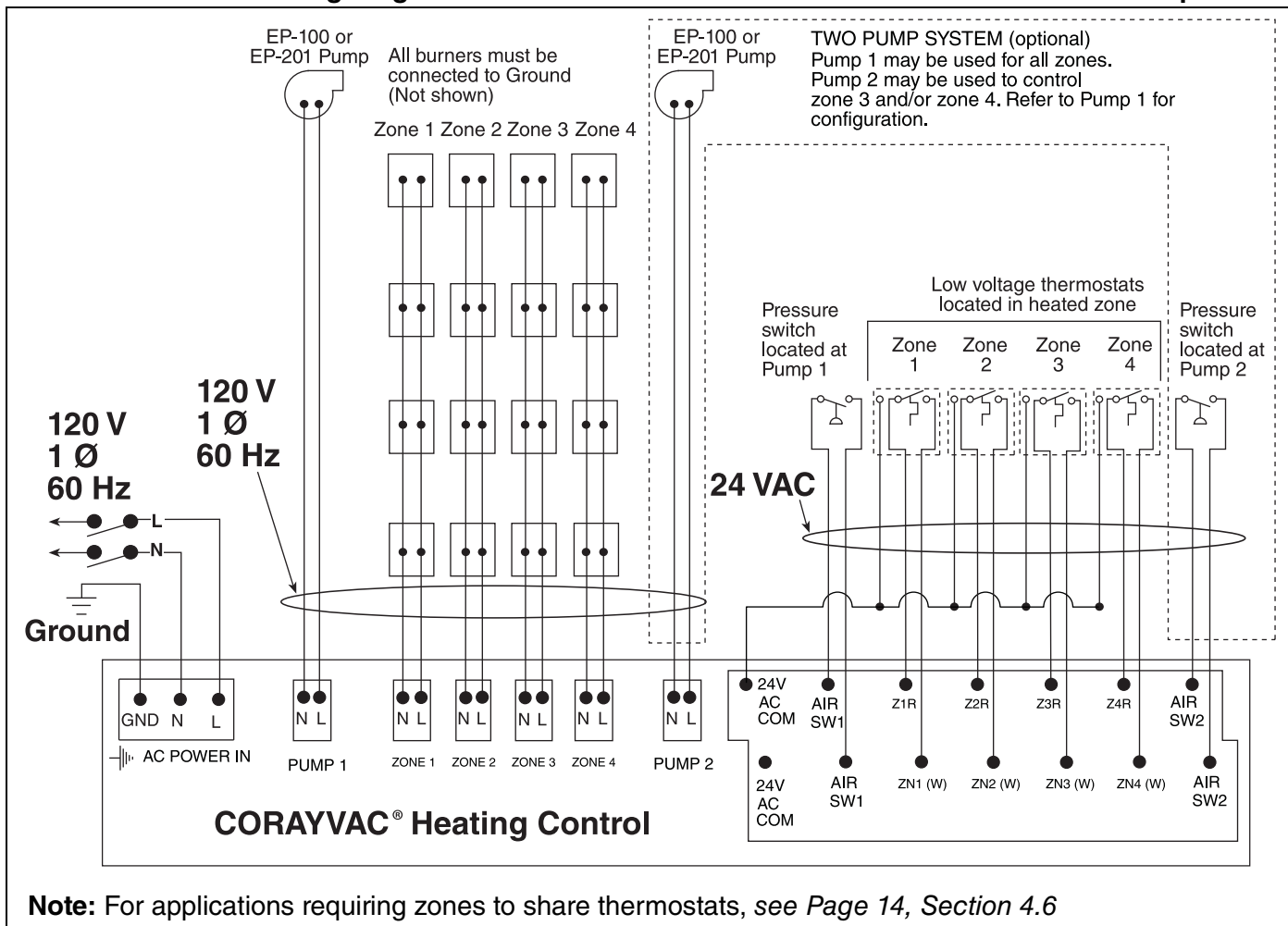
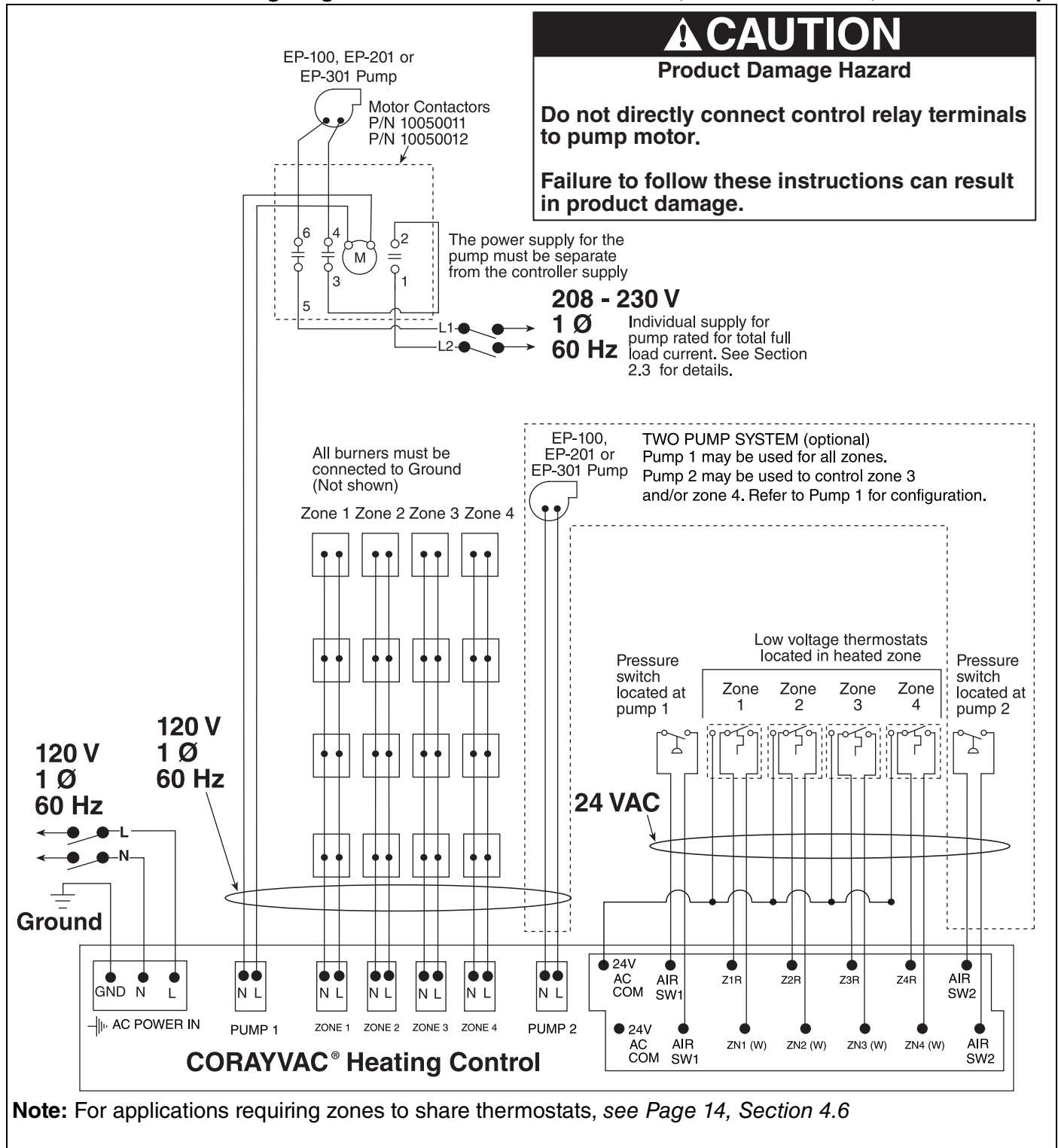


FIGURE 7: External Wiring Diagram ROBERTS GORDON® EP-100, EP-201 or EP-301, 230 V 1 Ø Pump



#### 4.2 EP-201 or EP-301 230 V 1 Ø External Wiring Diagram

The external wiring diagram above shows the connections for four zones of system burners. System burners can be either CORAYVAC®, CORAYVAC® SF or COMPLETE™ CTHND (multiburner only).

The zones are connected to a single pump, unless zone 3 and/or zone 4 are selected to function with

the optional pump 2. The external wiring diagram above shows connection to an EP 301 or EP-201 1 Ø pump.

##### 4.2.1 External Wiring Connection Details

Low voltage wiring (pressure switch, thermostats) must be rated to 300 V. Line voltage wiring must be rated to 600 V.

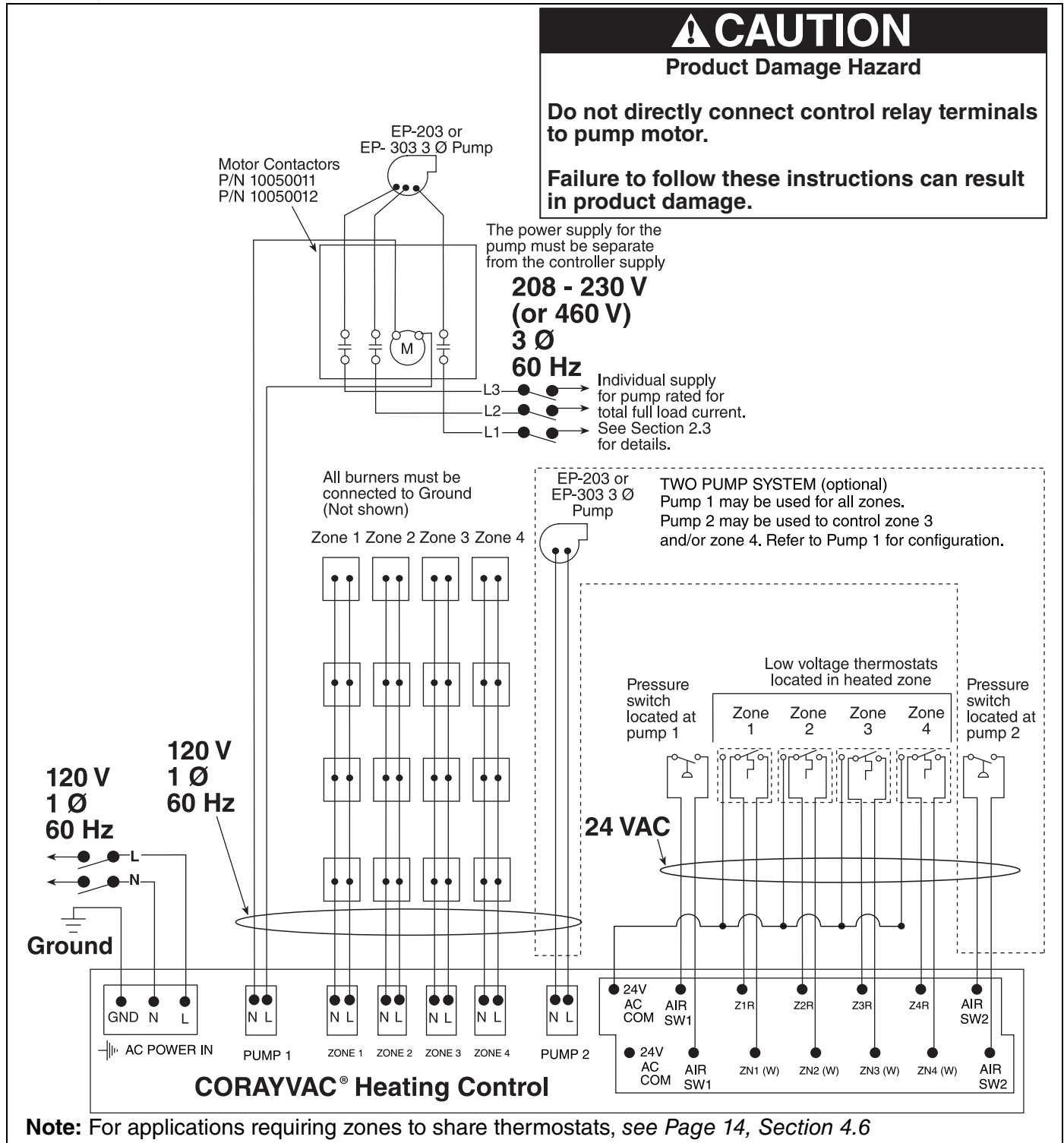
The low voltage circuits conforms with Class 2 sepa-

ration of circuit requirements. National Electrical Codes® for wiring class 2 low voltage circuits must be followed.

As per individual building specification for class of cable to be used. Use copper conductors only.



**FIGURE 8: External Wiring Diagram ROBERTS GORDON® EP-203 or EP-303, 208 - 230 V (or 460 V) 3 Ø Pump**



#### 4.3 EP-203 or EP-303 208 - 230 V (or 460 V) 3 Ø Pump External Wiring Diagram

The external wiring diagram above shows the connections for four zones of system burners. System burners can be either CORAYVAC®, CORAYVAC®SF or COMPLETE™ CTHND (multiburner only). The zones are connected to a single pump, unless

zone 3 and/or zone 4 are selected to function with the optional pump 2. The external wiring diagram above shows connection to an EP-203 or EP-303 3 Ø pump.

##### 4.3.1 External Wiring Connection Details

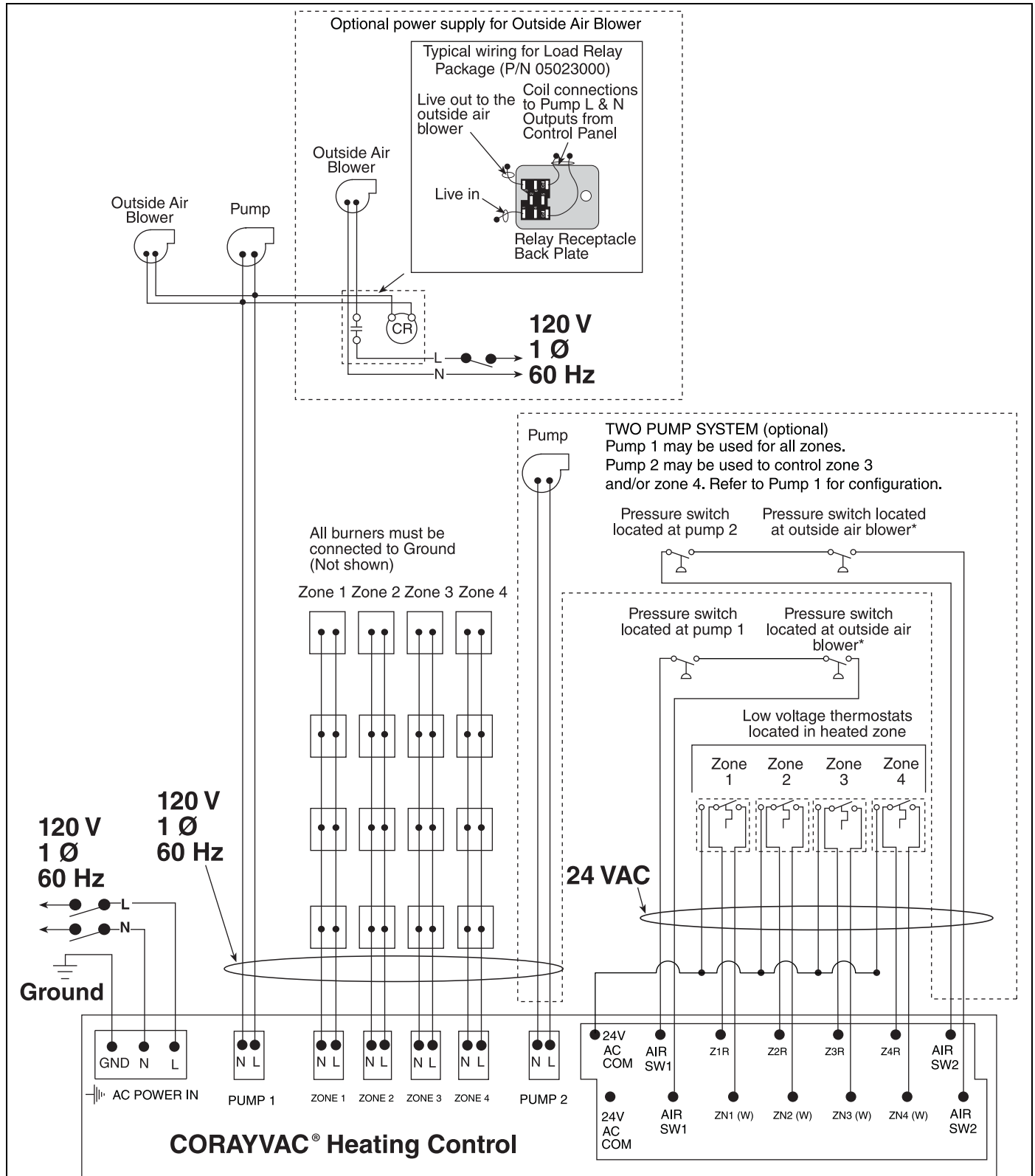
Low voltage wiring (pressure switch, thermostats) must be rated to 300 V. Line voltage wiring must be

rated to 600 V.

The low voltage circuits conforms with Class 2 separation of circuit requirements. National Electrical Codes® for wiring class 2 low voltage circuits must be followed.

As per individual building specification for class of cable to be used. Use copper conductors only.

**FIGURE 9: External Wiring Diagram ROBERTS GORDON® EP-100 or EP-201 120 V 1 Ø Pump with Outside Air Blower**



**Note:** For applications requiring zones to share thermostats, see Page 14, Section 4.6

\*Without blower contacts need to be n/c.

#### 4.4 Outside Air Blower External Wiring Diagram

The external wiring diagram above shows the con-

nections for four zones of system burners. System burners can be either CORAYVAC®, CORAYVAC® SF or COMPLETE™ CTHND (multiburner only).

The zones are connected to a single pump, unless zone 3 and/or zone 4 are selected to function with the optional pump 2. The external wiring diagram above shows connection to an EP-100 or EP-201 1 Ø motor. The diagram also shows the connection via a load relay to the optional outside air blower.

#### 4.4.1 External Wiring Connection Details

Low voltage wiring (pressure switch, thermostats) must be rated to 300 V. Line voltage wiring must be rated to 600 V.

The low voltage circuits conforms with Class 2 separation of circuit requirements. National Electrical Codes® for wiring class 2 low voltage circuits must be followed.

As per individual building specification for class of cable to be used. Use copper conductors only.

#### 4.5 Thermostat Wire Lengths

To ensure proper thermostat operation the recommendations for wire guages as indicated below must be used.

Distance (ft)	Guage
Up to 500	20
Up to 400	20
Up to 300	22
Up to 200	24
Up to 100	26

#### 4.6 Thermostat Wiring

Some applications may call for zones to operate off a single thermostat. Zones 1 and 3 may share a thermostat and zones 2 and 4 may share a thermostat. At no time should either zone 1 or 3 be connected to zone 2 or 4. Doing so will result in damage to the control board.

**SECTION 5: TROUBLESHOOTING****⚠ DANGER****Electrical Shock Hazard**

**Disconnect electric before service.**

**More than one disconnect switch may be required to disconnect electric to the unit.**

**Failure to follow these instructions can result in death or electrical shock.**

**⚠ WARNING****Explosion Hazard**

**Turn off gas supply to heater before service.**

**Failure to follow these instructions can result in death, injury or property damage.**

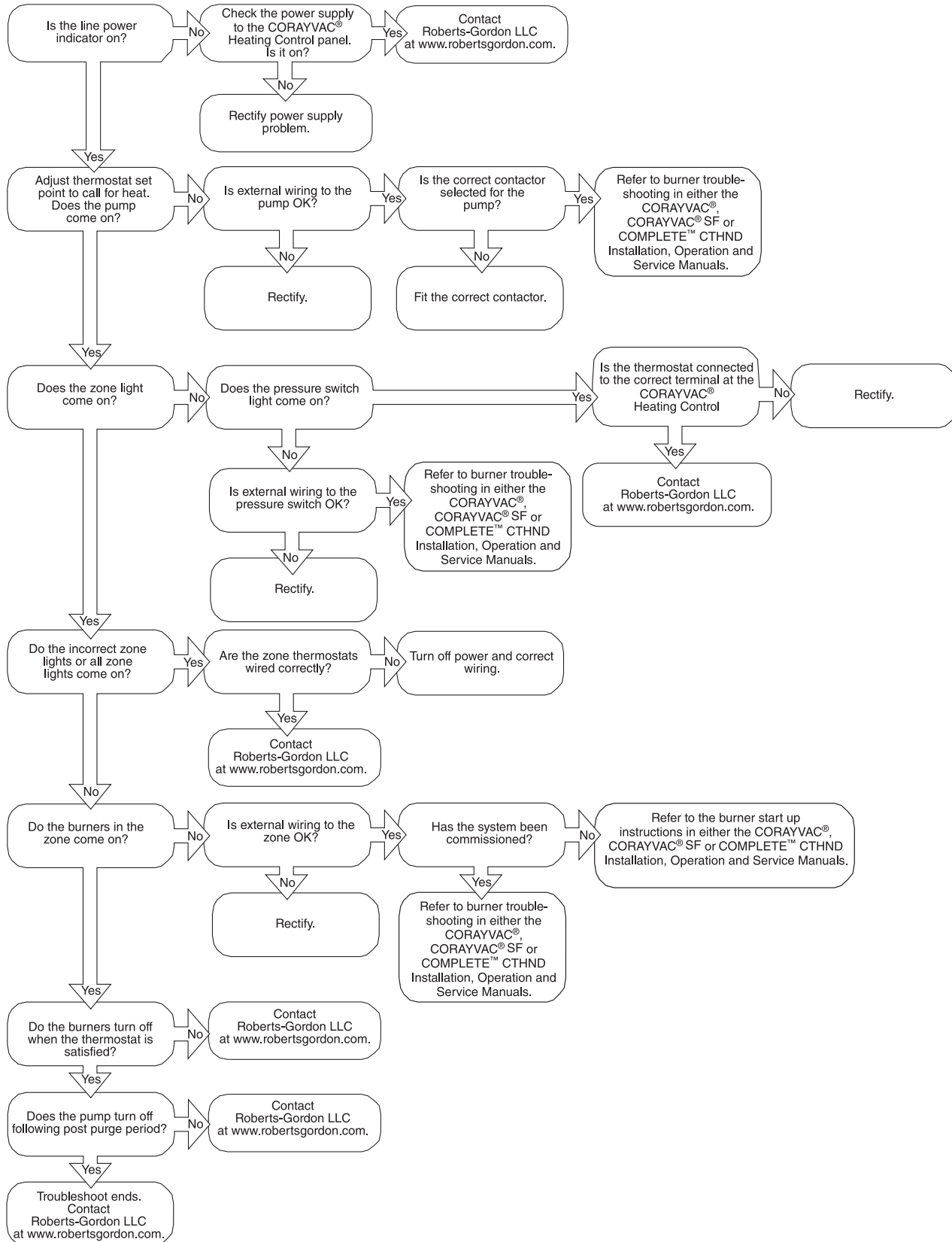
- e. After the heating is turned off, the pump will continue operation for 2 minutes, post purge.

**5.1 Sequence of Operation**

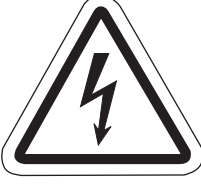



- a. On demand for heat from the thermostat, the panel will send power to the pump. The pump will begin operation.
- b. Once vacuum is established, the pressure switch at the pump will close. If the vacuum is not established within 30 seconds the pump will go into lockout (pump LED is flashing). After one hour of lockout, the system will re-start.
- c. The CORAYVAC® Heating Control panel sends power to the burners. The burners will go through a 45 second purge and cycle time.
- d. Once flame is established, the heater will remain in operation until such time as either the heating is turned off by the thermostat, lockout conditions occur, or after 24 hours of continuous operation. After 24 hours of continuous operation, the CORAYVAC® Heating Control will shut off and re-start to verify no faults exist in the system.

**FIGURE 10: CORAYVAC® Heating Control Troubleshooting Chart**

If control is not working properly, disconnect power to control and check for signs of physical damage to the front and back of the circuit board, water damage (corrosion) or scorching. If damage is found, identify and rectify source of damage. Replace circuit board (P/N 10090101), if it has permanent damage.

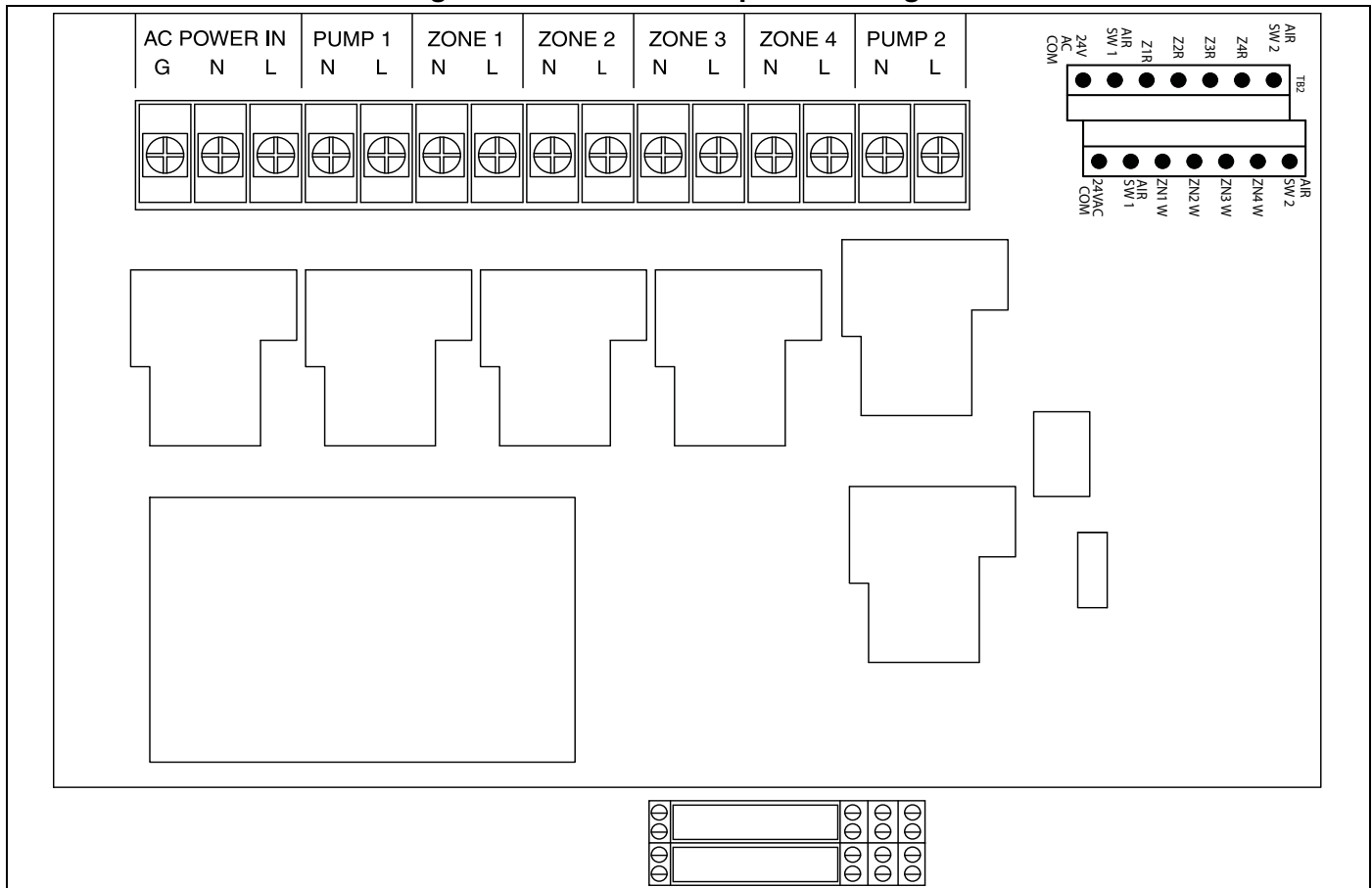


**SECTION 6: REPLACEMENT PARTS**

<b>⚠ DANGER</b>		<b>⚠ WARNING</b>	
			
<b>Electrical Shock Hazard</b>	<b>Explosion Hazard</b>	<b>Fire Hazard</b>	<b>Carbon Monoxide Hazard</b>
<p><b>Use only genuine ROBERTS GORDON® replacement parts per this installation, operation and service manual.</b></p> <p><b>Failure to follow these instructions can result in death, electric shock, injury or property damage.</b></p>			

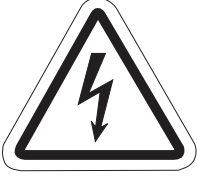
See warnings and important information before removing or replacing parts. After any maintenance or repair work, always test fire the system in accordance with the instructions shown in the following referenced Installation, Operation and Service Manuals CORAYVAC® (P/N 127102NA), CORAYVAC® SF (P/N 127302NA), and COMPLETE™ CTHND (152101NA), to ensure all safety systems are in working order before leaving the system to operate. Minor faults may be traced by using the troubleshooting charts on *Page 15, Section 5 through Page 16.*

**FIGURE 11: CORAYVAC® Heating Control Internal Components Diagram**



Description	Part Number
Board Assembly	10090101

## 6.1 Replacement Parts Instructions

<b>⚠ DANGER</b>

<b>Electrical Shock Hazard</b> <b>Disconnect electric before service.</b>
<b>More than one disconnect switch may be required to disconnect electric to the unit.</b>
<b>Failure to follow these instructions can result in death or electrical shock.</b>

### 6.1.1 Transformer

The transformer on the board cannot be replaced.  
*See Page 17, Figure 11, Item 1.*

### 6.1.2 Microprocessor Programing

The microprocessor may be re-programed by a reprogramming device.

Should the microprocessor program become suspect during troubleshooting, consult Roberts-Gordon LLC.



## SECTION 7: THE ROBERTS GORDON® CORAYVAC® HEATING CONTROL WARRANTY

### ROBERTS-GORDON LLC WILL PAY FOR:

Within 36 months from date of purchase by buyer or 42 months from date of shipment by Roberts-Gordon LLC (whichever occurs first), replacement parts will be provided free of charge for any part of the product which fails due to a manufacturing or material defect.

Roberts-Gordon LLC will require the part in question to be returned to the factory. Roberts-Gordon LLC will, at its sole discretion, repair or replace after determining the nature of the defect and disposition of part in question.

ROBERTS GORDON® Replacement Parts are warranted for a period of 12 months from date of shipment from Roberts-Gordon LLC or the remaining ROBERTS GORDON® CORAYVAC® Heating Control warranty.

### ROBERTS-GORDON LLC WILL NOT PAY FOR:

Service trips, service calls and labor charges.

Shipment of replacement parts.

Claims where the total price of the goods have not been paid.

Damage due to:

- Improper installation, operation or maintenance.
- Misuse, abuse, neglect, or modification of the ROBERTS GORDON® CORAYVAC® Heating Control in any way.
- Use of the ROBERTS GORDON® CORAYVAC® Heating Control for other than its intended purpose.
- Incorrect gas or electrical supply, accident, fire, floods, acts of God, war, terrorism, or other casualty.
- Improper service, use of replacement parts or accessories not specified by Roberts-Gordon LLC.
- Failure to install or maintain the ROBERTS GORDON® CORAYVAC® Heating Control as directed in the Installation, Operation and Service Manual.
- Relocation of the ROBERTS GORDON® CORAYVAC® Heating Control after initial installation
- The use of the ROBERTS GORDON® CORAYVAC® Heating Control in a corrosive atmosphere containing contaminants.
- The use of the ROBERTS GORDON® CORAYVAC® Heating Control in the vicinity of a combustible or explosive material.
- Any defect in the ROBERTS GORDON® CORAYVAC® Heating Control arising from a drawing, design, or specification supplied by or on behalf of the consumer.
- Damage incurred during shipment. Claim must be filed with carrier.

### WARRANTY IS VOID IF:

The ROBERTS GORDON® CORAYVAC® Heating Control is not installed by an electrician qualified in the installation and service of control systems for heating equipment.

You cannot prove original purchase date and required annual maintenance history.

The data plate and/or serial number are removed, defaced, modified or altered in any way.

The ownership of the ROBERTS GORDON® CORAYVAC® Heating Control is moved or transferred. This warranty is nontransferable.

Roberts-Gordon LLC is not permitted to inspect the damaged controller and/or component parts.

### READ YOUR INSTALLATION, OPERATION AND SERVICE MANUAL.

If you have questions about your control, contact your installing professional. Should you need Replacement Parts or have additional questions, call or write:

#### Roberts-Gordon LLC

1250 William Street

P.O. Box 44

Buffalo, New York 14240-0044

Telephone: +1.716.852.4400

Fax: +1.716.852.0854

Toll Free: 800.828.7450

[www.robertsgordon.com](http://www.robertsgordon.com)

**Roberts-Gordon LLC's liability, and your exclusive remedy, under this warranty or any implied warranty (including the implied warranties of merchantability and fitness for a particular purpose) is limited to providing replacement parts during the term of this warranty.** Some jurisdictions do not allow limitations on how long an implied warranty lasts, so this limitation may not apply to you. There are no rights, warranties or conditions, expressed or implied, statutory or otherwise, other than those contained in this warranty.

**Roberts-Gordon LLC shall in no event be responsible for incidental or consequential damages or incur liability for damages in excess of the amount paid by you for the ROBERTS GORDON® CORAYVAC® Heating Control.** Some jurisdictions do not allow the exclusion or limitation of incidental or consequential damages, so this limitation or exclusion may not apply to you. This warranty gives you specific legal rights, and you may also have other rights which vary from jurisdiction to jurisdiction.

Roberts-Gordon LLC shall not be responsible for failure to perform under the terms of this warranty if caused by circumstances out of its control, including but not limited to war, fire, flood, strike, government or court orders, acts of God, terrorism, unavailability of supplies, parts or power. No person is authorized to assume for Roberts-Gordon LLC any other warranty, obligation or liability.

### LIMITATIONS ON AUTHORITY OF REPRESENTATIVES:

No representative of Roberts-Gordon LLC, other than an Executive Officer, has authority to change or extend these provisions. Changes or extensions shall be binding only if confirmed in writing by Roberts-Gordon LLC's duly authorized Executive Officer.