

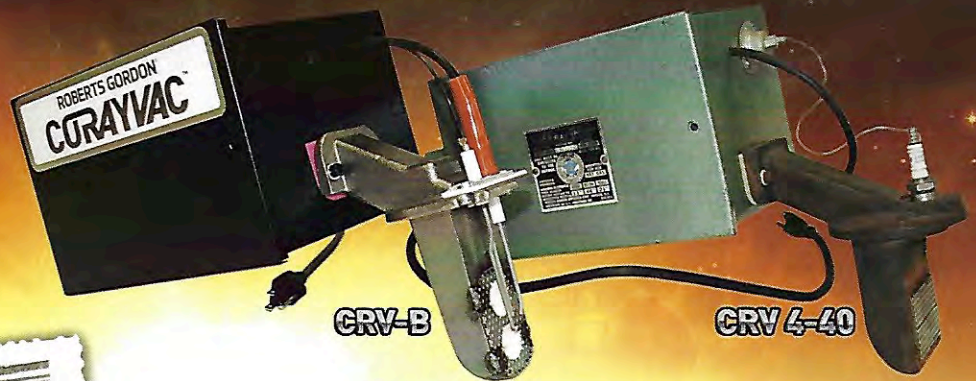
CORAYVACTM

ROBERTS GORDON[®]

CRV 4-40 REPLACEMENT BURNER

Make your old CORAYVAC[®] system better than ever and revitalize the system with our NEW CORAYVAC[®] 4-40 replacement burner!

**DROP-IN
REPLACEMENT
AVAILABLE
NOW**

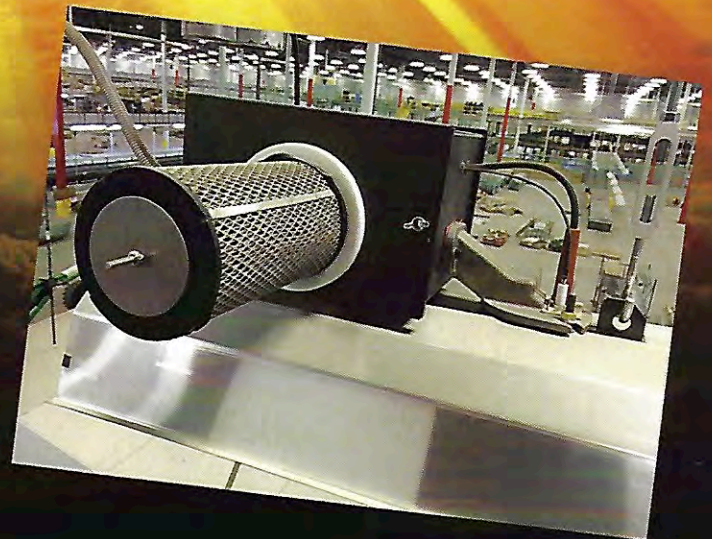


The heat exchanger of the CORAYVAC[®] 4-40 systems were 3" schedule 40 pipe. Our current CORAYVAC[®] B-series burner is designed for 4" pipe previously making replacing a 4-40 burner impossible. We have developed a special, patent pending, adapter that elevates the burner to the optimum position for a perfect fit to the old CORAYVAC[®] 4-40 cast-iron combustion chamber.



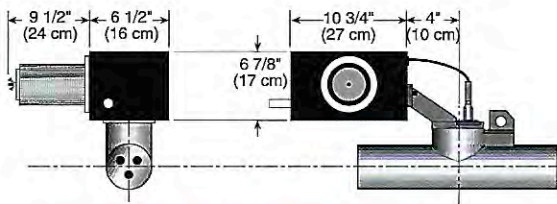
THE BENEFITS

- The CORAYVAC[®] 4-40 replacement burner comes with an industry leading 3-year warranty.
- A direct replacement makes swapping out the old for the new quick and easy.
- Modern CORAYVAC[®] B-series burner increases the efficiency and comfort of the old 4-40 system.
- ROBERTS GORDON[®] provides the user flexibility by only needing to replace non-operating burners within the CORAYVAC[®] system. Also, if the user chooses to replace the entire CORAYVAC[®] system at a later date, replacement burners may be reused.



For more info visit www.robertsgordon.com/440replacement

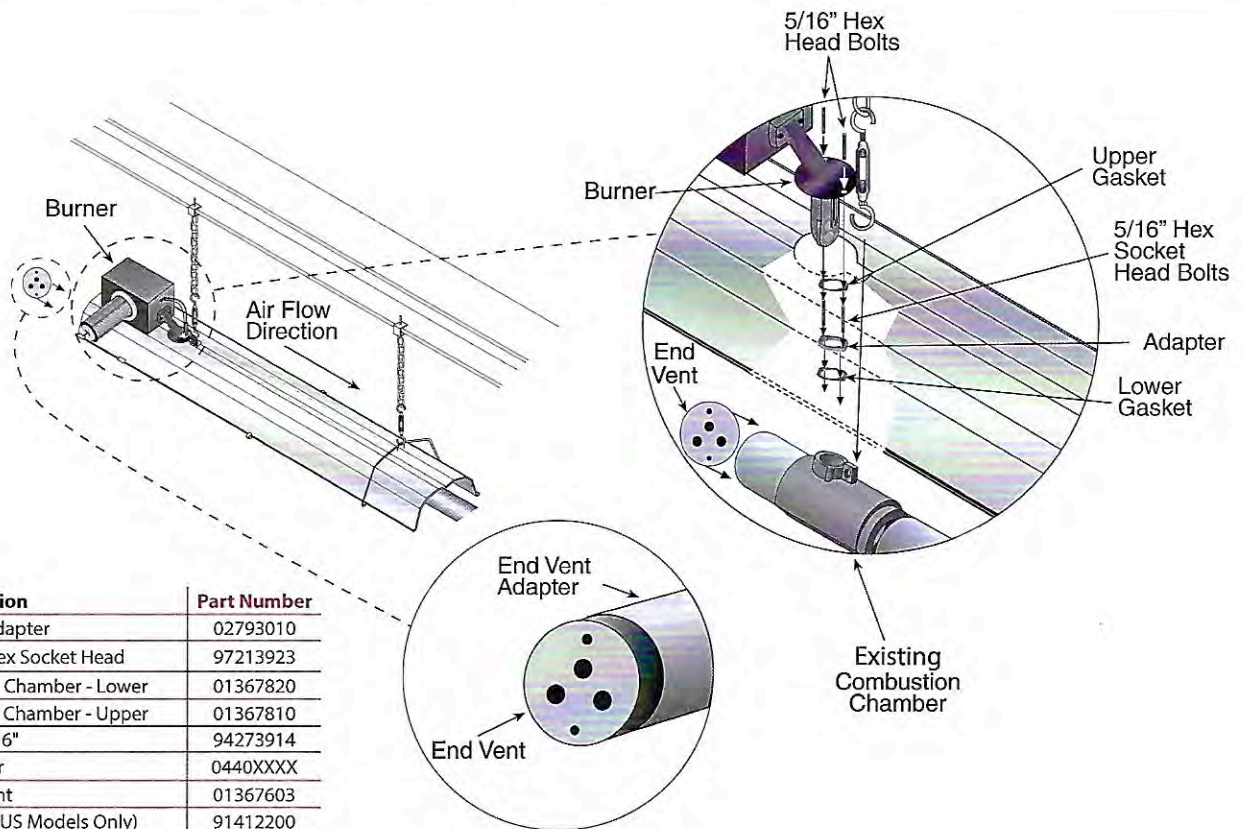
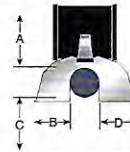
1.800.828.7450



| | | |
|-------------------------------|--|------|
| Model | B-4 | |
| Input (Btu/h) x (1000) | 40 | |
| Inlet Pressure | [in wc] NG min. | 4.5 |
| | LPG Propane min. | 10.5 |
| | NG & LPG Propane max. | 14 |
| Gas Connection | NPT | 1/2" |
| Fuel | NG or LPG Propane | |
| Electrical Supply | 120 V, 60 Hz, 0.3 A (Connection Cord with Three-Prong Molded Plug) | |
| Burner Head | Cast Iron | |
| Control System | Fully Automatic, Three-Try, 100% Shut-Off, Direct Spark Electronic Ignition Control | |
| Burner Weight | [lb] | 19 |
| Warranty | Three-Year Limited (Refer to Installation, Operation and Service Manual for Details) | |

Clearances to Combustibles ***[in]

| | |
|--------------|------------|
| Model | B-4 |
| Horizontal | A 4 |
| | B 20 |
| | C 48 |
| | D 20 |



| Description | Part Number |
|--|-------------|
| CRV 4-40 Adapter | 02793010 |
| Bolt, 5/16-18 x 5/8 Hex Socket Head | 97213923 |
| Gasket, CRV 4-40 Comb Chamber - Lower | 01367820 |
| Gasket, CRV 4-40 Comb Chamber - Upper | 01367810 |
| Bolt, 5/16" | 94273914 |
| Burner | 0440XXXX |
| End Vent | 01367603 |
| 1/2" Flexible Gas Line (US Models Only) | 91412200 |
| Accessory Package (Includes Filter and Hardware) | 01397300 |

***Clearances B, C and D can be reduced by 50% for locations 25 ft (7 m) or more downstream of the burner. For other mounting options and associated clearances, complete installation, operation and service criteria, please see the current issue of the Installation, Operation and Service Manual.

This product is not for residential use.

This document is intended to assist licensed professionals in the exercise of their professional judgment.

Roberts-Gordon LLC
 1250 William Street
 P.O. Box 44
 Buffalo, NY 14240-0044 USA
 Telephone: +1.716.852.4400
 Fax: +1.716.852.0854
 Toll Free: 800.828.7450
 www.robertsgordon.com

